



Local Governments Empowering Our Communities

Energy and Material Efficiency in Carbon Smart Buildings

November 27, 2018



Programs

- Single Family Home Upgrade
- Bay Area Multifamily Building Enhancement (BAMBE)
- Commercial Pay for Performance
- Water Bill Savings
- Codes and Standards



Codes and Standards

Joint effort of Bay Area local governments to support the development and implementation of tools, best practices, trainings, and policies for accelerating compliance with, and exceeding, California Title 24, Part 6.

Two Broad Areas of Effort

- **Compliance Improvement:** Investigate areas for improvement in code enforcement processes & offer solutions
- **Policy:** Share best practices & develop regional resources for going above code



Codes and Standards

Energy Code Trainings

- **Free**, in-person, on demand, short & long versions, ICC CEUs
- Topics include:
 - Heat Pump Water Heaters
 - Residential ZNE for New Construction
 - HERS Registry
 - Residential Forms & Permit Submittals for Additions
 - And more, including non-residential topics

NEW!



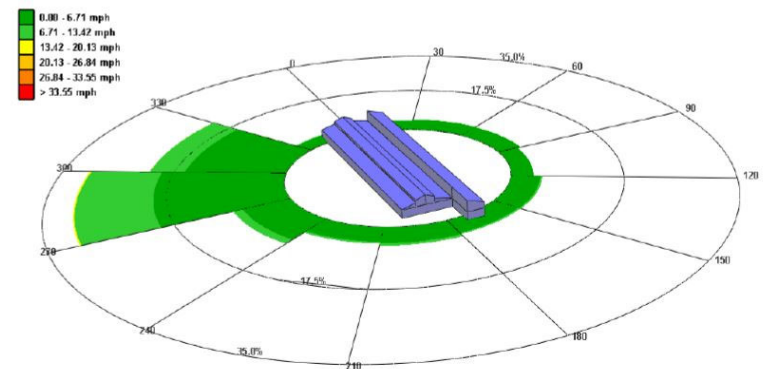
<https://www.bayrencodes.org/services/trainings/>

BAYREN

Codes and Standards

Municipal ZNE Assistance

- **Technical Assistance: No-cost** engineering analysis to help local governments explore what it would take for municipal buildings to become ZNE, or to demonstrate ZNE policy feasibility for municipal building portfolios.
- **Municipal ZNE RFP and OPR Template Language:** Request for proposal (RFP) and owner project requirements (OPR) template language for local governments to encourage developers to construct new municipal buildings to ZNE.



Codes and Standards

2019 Reach Codes

Provide information and opportunities to collaborate for Bay Area local governments, including:

- Workshops and events, and
- New webpage with information and links to resources under construction and to be available before the end of the year.



Presentations & Materials

All presentations & materials will be emailed to you and available on the <https://www.bayrencodes.org/events>

Disclaimer

The views expressed in these presentations are those of the author(s) and do not necessarily reflect the position of the Association of Bay Area Governments, the Bay Area Regional Energy Network or the jurisdictions that BayREN represents. Any questions pertaining to the views and information in the presentations should be directed to the author(s).

Meeting Agenda

Agenda

8:30am – 9:00am

Continental Breakfast & Networking

9:00am – 9:10am

Welcome and Introductions

Jeffery Liang, BayREN Representative, StopWaste (Alameda County)

9:10am – 10:30am

Panel Session:

Moderator: Miya Kitahara, Program Manager, StopWaste

- **Defining Zero Net Carbon**, Larry Strain, Siegel & Strain Architects
- **Lifecycle Carbon for New Construction**, Bruce King, Ecological Building Network
- **Energy Efficiency Upgrades with Carbon in Mind**, Nick Dirr, Association for Energy Affordability

10:30am – 10:45am

Break

10:45am – 10:55am

BAAQMD Grant: Reducing Embodied Carbon in the Built Environment

Alice Zanmiller, BayREN Representative, County of Marin

10:55am – 11:55am

Small Group Discussions: Local Government Policy Tools

45 min discussion and 15 min report back

1. **Including Zero Net Carbon (ZNC) in Climate Action Plans**
2. **ZNC Municipal Facilities**
3. **ZNC Private Development**

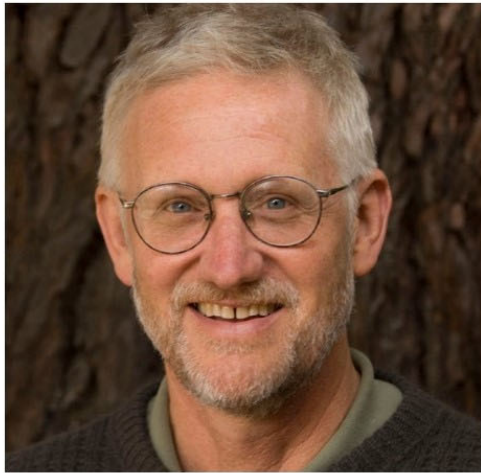
11:55am – 12:00pm

Closing Comments

Jeffery Liang, BayREN Representative, StopWaste (Alameda County)



Presenters



Larry Strain,
Siegel & Strain Architects



Bruce King,
Ecological Building Network



Nick Dirr,
Association for Energy Affordability